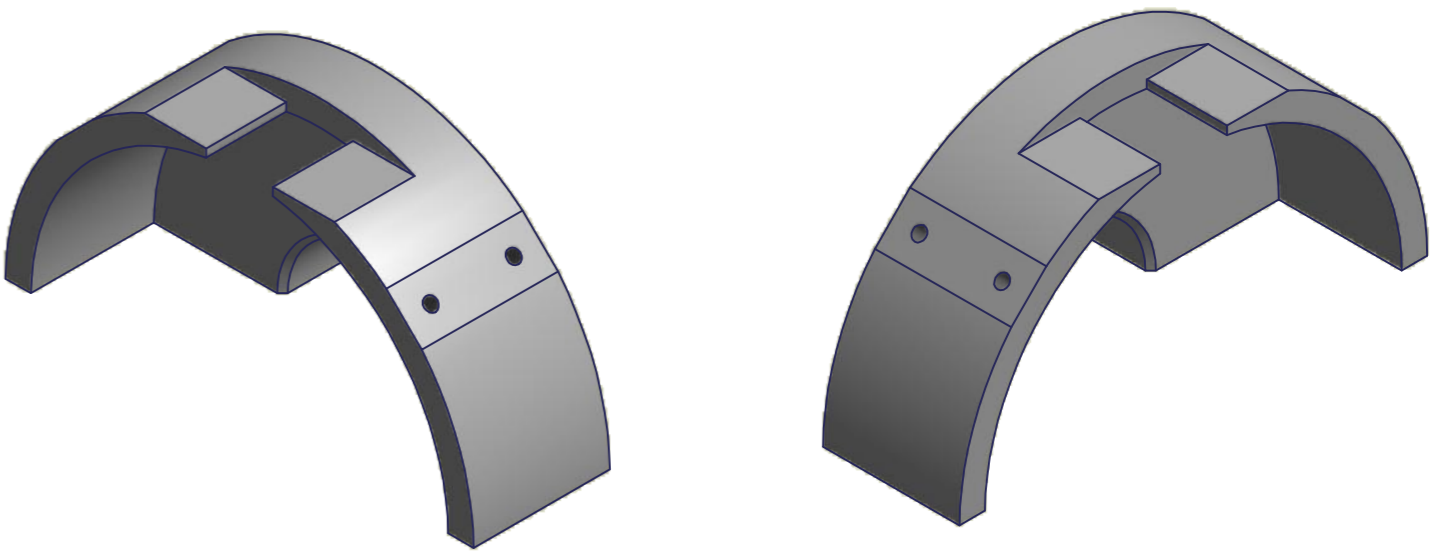



A(1:1)

N° 4 FORI M6 PASS.

B-B(1:1)

2 X 45° Smusso



				 NATIONAL INSTITUTE OF NUCLEAR PHYSICS FRASCATI NATIONAL LABORATORY <small>INFN Istituto Nazionale di Fisica Nucleare Laboratori Nazionali di Frascati</small>	
FINISH	NEXT ASSY DWG	QUANT.	NOTE	BTF BTF SUPPORTI SUPPORTO WCM FLANGIA UP	
GENERAL TOLERANCES UNI EN 22768/1-MEDIUM					
05/11/2012	ALLUMINIO		1:1		
DATE	MATERIAL	WEIGHT	SCALE	A2 Foglio N BTF-001-005	
VACUUM	DIAGNOSTIC	ACC.PHY.	ELEC. ENG.		
QUALITY ASSURANCE				A2 Foglio N BTF-001-005	
Enrico Di Pasquale					
DRAFTER	DESIGNER	ENGINEER	APPROVAL		